

MUNDIAL

INDUSTRIAL PLUGS AND SOCKETS

Description: IP54 SCHUKO-TYPE FLUSH-FIT SOCKET 2P+E 16A 250V WITH SCREW TERMINAL

Reference:
00452

Characteristics:

Product type:	Schuko-Type flush-fit socket. With screw terminal Type: SK54 LAT/CT
Current:	16A
Poles:	2P+E
Voltage:	250 V
Frecuency(Hz):	-
Time code:	-
Colour:	Blue
Weight (kg):	0,063
Dimensions:	
Materials:	Halogen-free plastic materials. Plastic parts: polyamide 6. Contacts: copper-zinc alloy
Packaging units:	24

Technical data:

Degree of protection:	IP54
Degree of protection remarks:	No sealing gasket required due to ergonomic design
Resistance to impact:	IK08
Glow wire resistance:	960 °C
Ball pressure test:	125 °C
Ambient temperature range:	-25 °C / +40 °C

Certifications and norms:

Directive:	2014/35/EU
Standards:	IEC 60884-1 / DIN VDE 0620-1
Certificates:	



Codes:

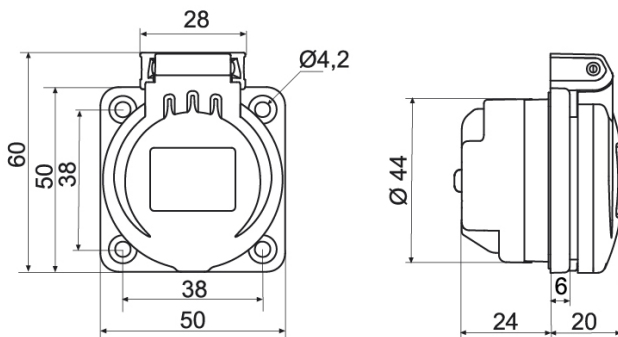
EAN:	8431044004525
Customs tariff number:	85.36.69.90
ETIM 8.0:	EC001325

MUNDIAL

INDUSTRIAL PLUGS AND SOCKETS

Description: IP54 SCHUKO-TYPE FLUSH-FIT SOCKET 2P+E 16A 250V WITH SCREW TERMINAL

Reference: 00452



Dimensions:

I	Poles	Dimensions		
		HEIGHT	WIDTH	DEPTH
16 A	2P+E	60	50	44

Sustainability:

RoHS - REACH

Product end of life stage:

Product concerned in the WEEE regulations.

Supply:

Supplied in a single box per packaging multiple